

General Description

Series R pressure relief valves consist of a manual adjusted pilot stage and a cartridge main stage.

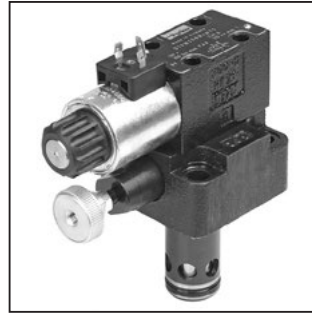
Series RS*E consists of a manual adjusted pilot stage with a directional valve for an electrically controlled vent function and a cartridge main part.

The R/RS*E model codes embrace the pilot valves, covers and cartridges that are also offered as separate items. See combination examples for details.

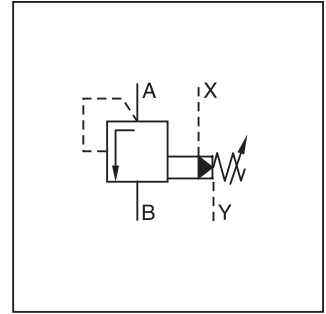
Features

- Pilot operated with manual adjustment.
- Cavity and mounting pattern according to ISO 7368.
- 4 pressure ranges.
- 2 switching types (series RS*E).
- 2 adjustment modes:
 - Hand knob
 - Key lock
- Remote control via port X.
- 6 sizes, NG16 to NG63.

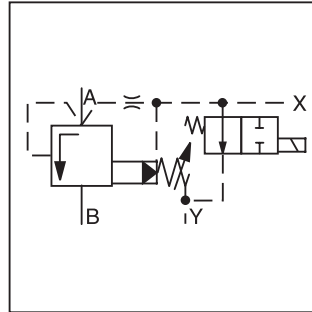
Note: Port X only usable for remote vent function



RS*E

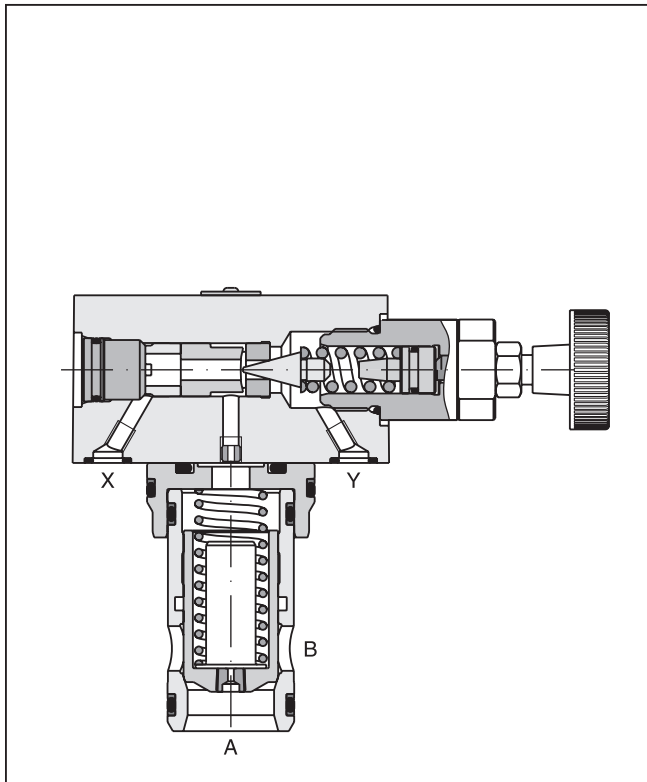


R*E

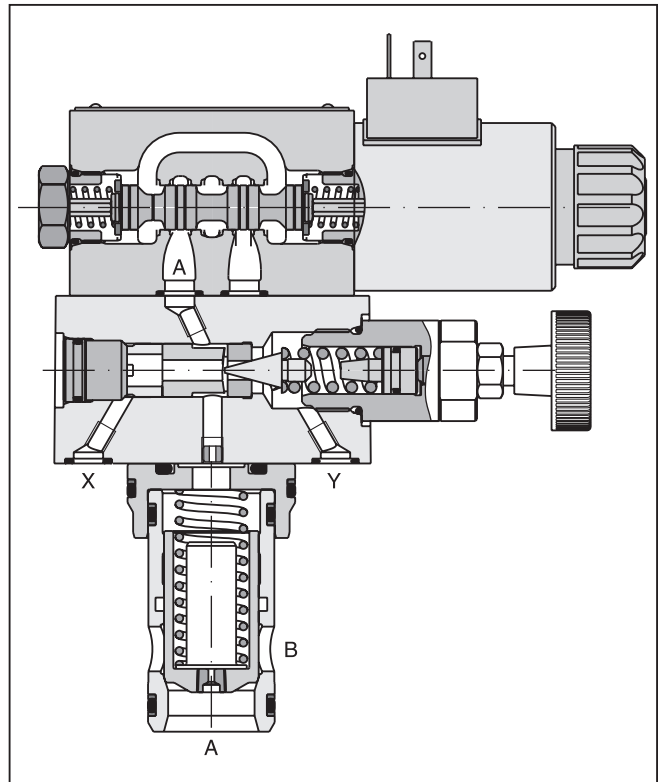


RS*E (simplified symbol)

R*E

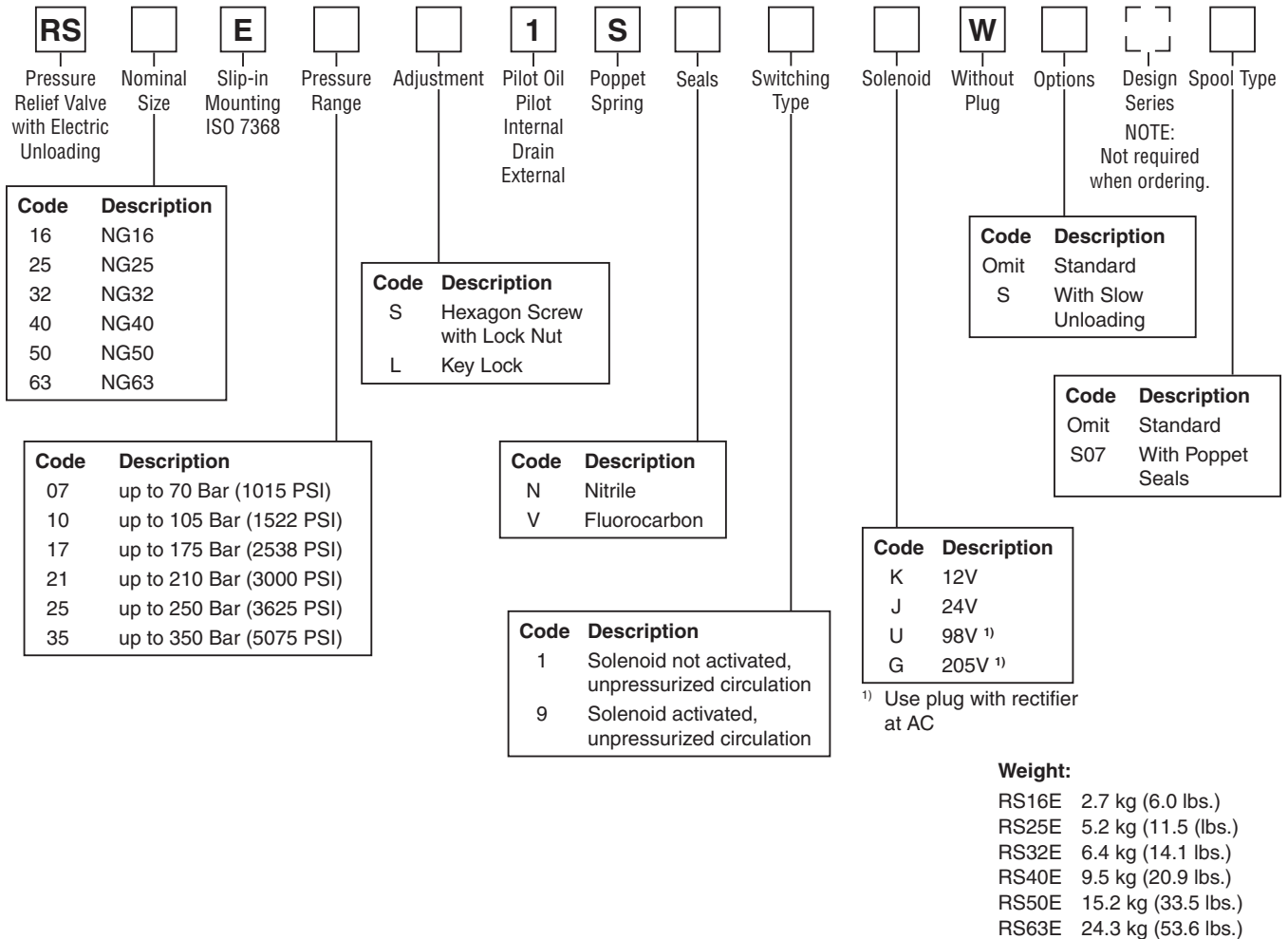
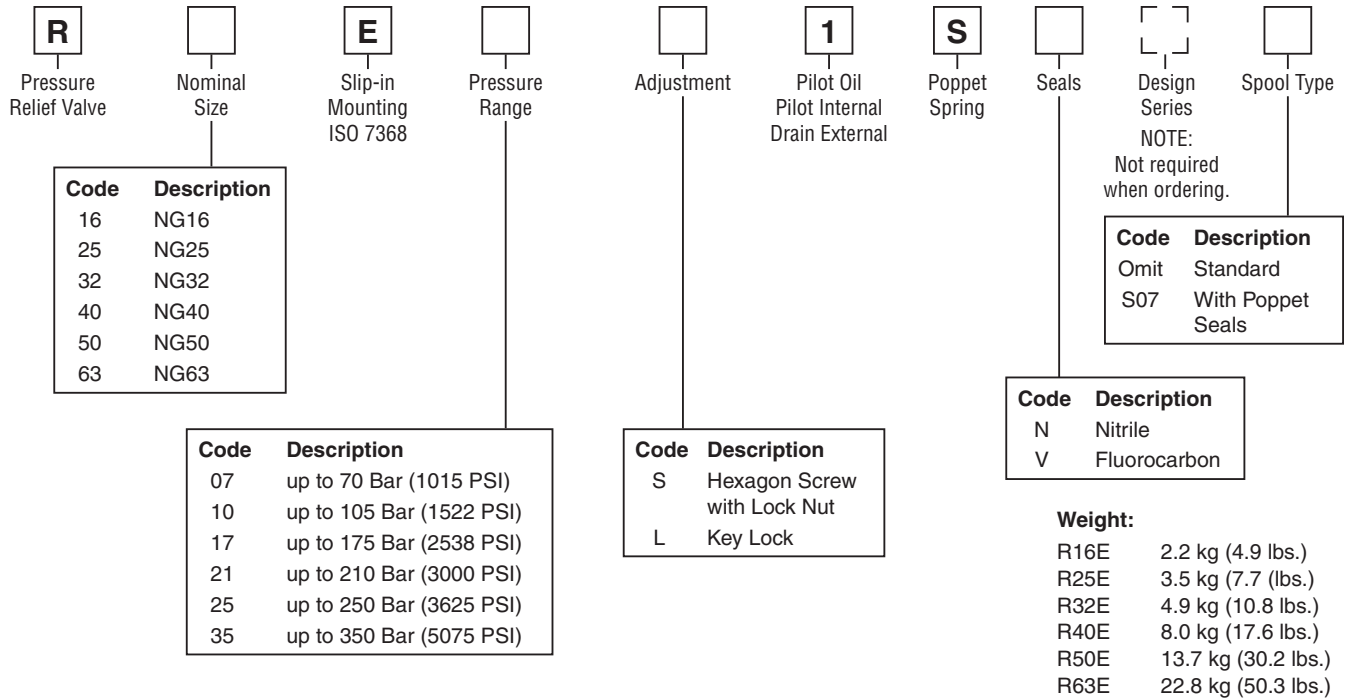


RS*E



WARNING: This product can expose you to chemicals including Lead, Nickel (Metallic), or 1,3-Butadiene which are known to the State of California to cause cancer, and Lead or 1,3-Butadiene which is known to the State of California to cause birth defects and other reproductive harm. For more information go to www.P65Warnings.ca.gov.

Cat3200_02.indd, ddp, 04/19



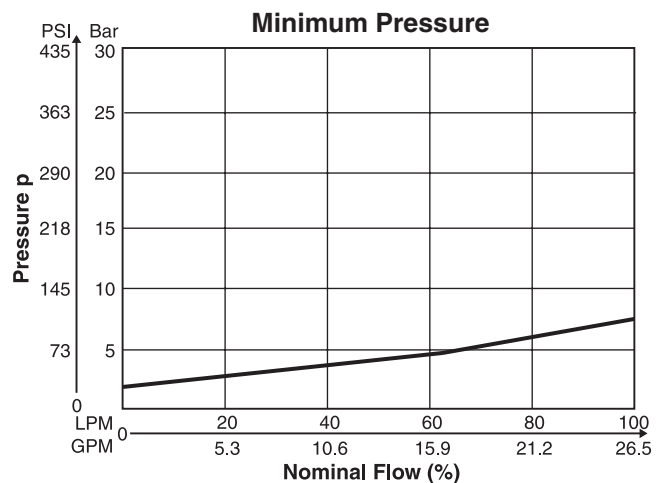
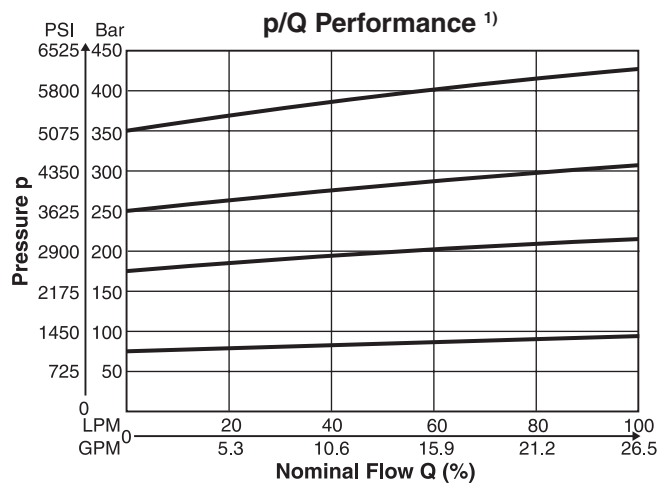
Specifications — R*E, RS*E

General						
Size	NG16	NG25	NG32	NG40	NG50	NG63
Interface	Slip-in mounting according to ISO 7368					
Mounting Position	As desired, horizontal mounting preferred					
Ambient Temperature	-20°C to +80°C (-4°F to +176°F)					
Hydraulic						
Maximum Operating Pressure	Ports A and X up to 350 Bar (5075 PSI), Ports B and Y depressurized					
Pressure Range	70, 175, 250, 350 Bar (1015, 2538, 3625, 5075 PSI)					
Nominal Flow	220 LPM (58 GPM)	500 LPM (132 GPM)	950 LPM (251 GPM)	1400 LPM (370 GPM)	2300 LPM (609 GPM)	4000 LPM (1058 GPM)
Fluid	Hydraulic oil according to DIN 51524 ... 525					
Viscosity Recommended	30 to 50 cSt (mm ² s)					
Viscosity Permitted	20 to 380 cSt (mm ² s)					
Fluid Temperature	-20°C to +70°C (-4°F to +158°F)					
Filtration	ISO 4406 (1999); 18/16/13 (meet NAS 1638:7)					

Specifications — RS*E

Electrical (Solenoid)					
Duty Ratio	100% ED; CAUTION: coil temperature up to 180°C (356°F) possible				
Maximum Switching Frequency	16000 switchings per hour				
Protection Class	IP65 in accordance with EN 60529 (plugged and mounted)				
Direct Current	Code	K	J	U	G
Supply Voltage		12 VDC	24 VDC	98 VDC	205 VDC
Power		31 W	31 W	31 W	31 W
Current		2.5 amps	1.25 amps	0.31 amps	0.15 amps
Solenoid Connection	Connector as per EN 175301-803				
Wiring Minimum	3 x 1.5 mm ² recommended				
Wiring Length Maximum	50m (164 ft.) recommended				

Performance Curves



¹⁾ The performance curves are measured with external drain.
 For internal drain the tank pressure has to be added to curve.